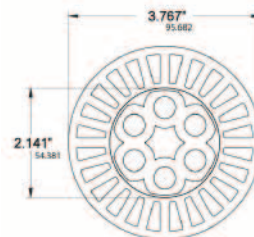
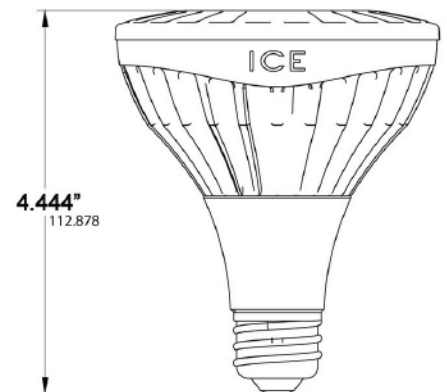
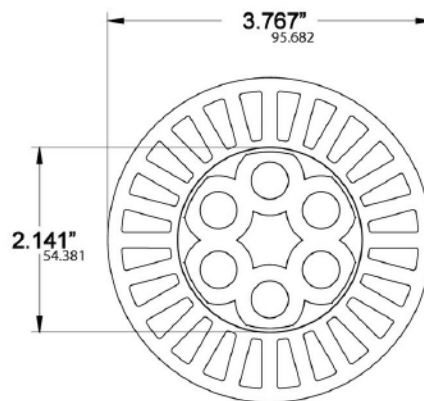




SPECIFICATIONS

ICE LED-PAR-30-WW

- Input Watts: **14W**
- Voltage: **120 VAC (60 Hz)**
- Luminous flux: **700 lm**
- CCT: **2700K & 3000K (Warm White)**
- CRI: **83**
- Optical Beam: **10° / 25° / 40°**
- Rated Life: **25,000 Hours**
- Warranty: **5 Years**



FEATURES

- RoHS Compliant Contains no mercury or lead.
- World leading LED technology inside enables world class performance for light output.
- CBCP exceeds ENERGY STAR® Integral LED lamp center beam intensity benchmarks.
- Dimmable drive electronics enable dimming with most Triac (standard) wall dimmers.
- Thermal monitoring circuitry ensures that the lamp will automatically reduce power levels and protect itself.
- Assembled in North America with solid supply chain management practices ensures quality components throughout.
- ENERGY STAR certification pending.

