



## SPECIFICATIONS

### ICE LED-PAR-38-WW

Input Watts: **20W**

Voltage: **120 VAC (60 Hz)**

Luminous flux: **1000 lm**

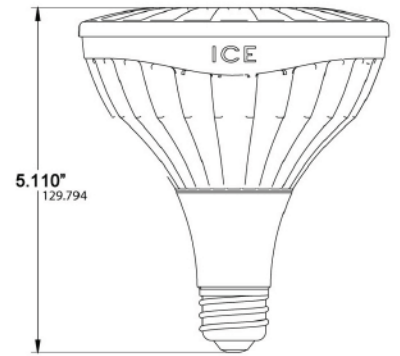
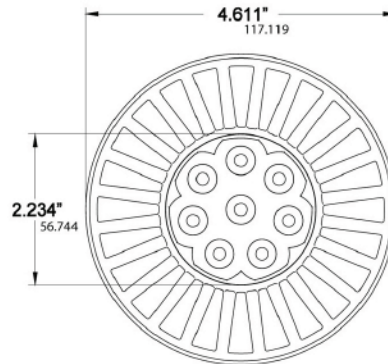
CCT: **2700K & 3000K (Warm White)**

CRI: **83**

Optical Beam: **10° / 25° / 40°**

Rated Life: **25,000 Hours**

Warranty: **5 Years**



## FEATURES

- RoHS Compliant Contains no mercury or lead.
- World leading LED technology inside enables world class performance for light output.
- CBCP exceeds ENERGY STAR® Integral LED lamp center beam intensity benchmarks.
- Dimmable drive electronics enable dimming with most Triac (standard) wall dimmers.
- Thermal monitoring circuitry ensures that the lamp will automatically reduce power levels and protect itself.
- Assembled in North America with solid supply chain management practices ensures quality components throughout.
- ENERGY STAR certification pending.



- Delivering the promise of Solid State Lighting | [icelighting.com](http://icelighting.com) | +1 (888) 330 6786